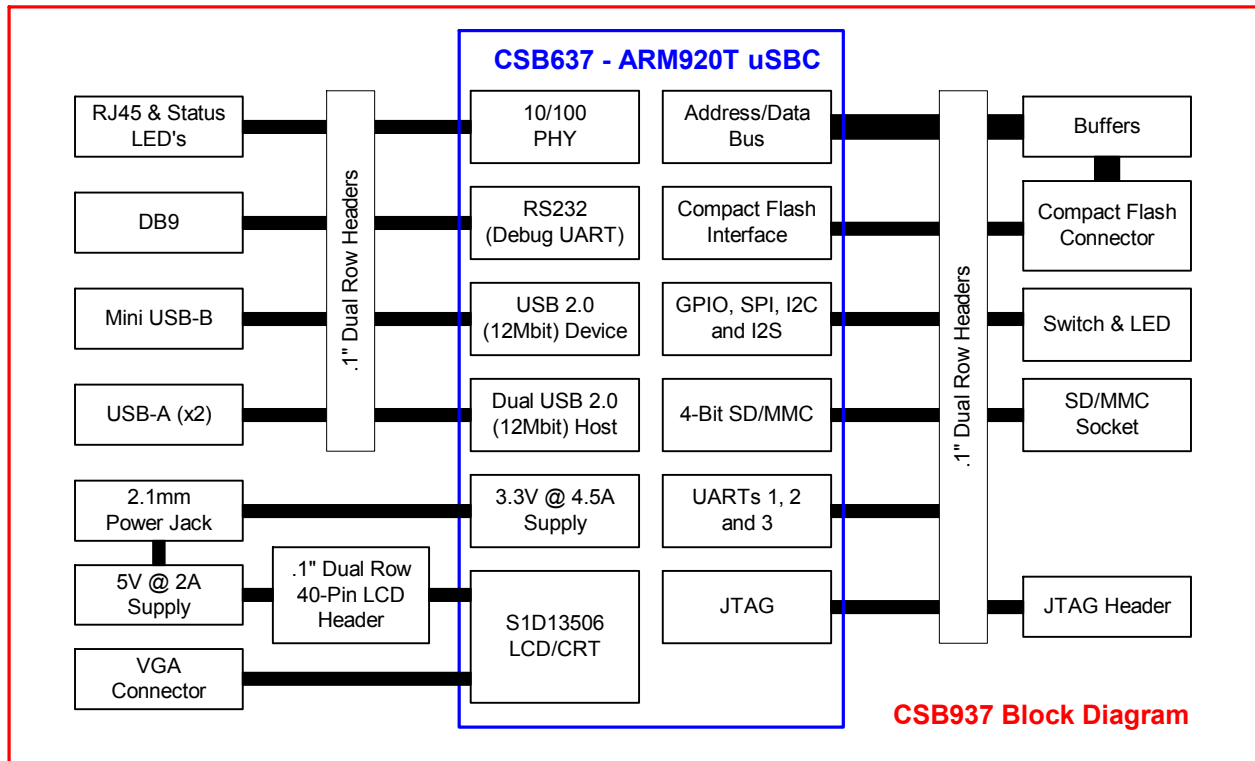


CSB937 - CSB637 TARGET BOARD



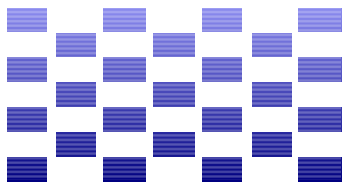
Overview

The CSB937 Development Board converts the CSB937 Micro Single Board Computer (uSBC) into an advanced product development platform. As the CSB937 uSBC is optimized for OEM use, it does not have the DB9's, RJ45, Switches, etc. found on larger, older technology single board computers. The CSB937 provides those standard connectors, while also allowing complete access to the GPIO and peripheral functions of the CSB637 needed during the product development stage. Schematics and gerbers for the CSB937 are available free of charge to assist in the design and integration of the CSB637 into your custom product.

Go to www.cogcomp.com for current pricing and availability of the CSB937 and CSB937.

CSB937 Specifications

- Appropriate Connectors for RS232 (Debug UART), Ethernet and USB (Host and Device)
- Two GPIO Driven LED's for Status Display
- One GPIO Readable Switch for User Input
- Type I/II Compact Flash and 4-Bit SD/MMC Sockets
- .1" Headers for access to all unused and most used CSB637 signals for analysis and expansion
- 5V @ 3A Switching Regulator for USB Host, LCD and LCD Backlight
- Compact 4" x 5" size



COGENT

"ALWAYS COMPLETE"

Cogent Computer Systems, Inc.
17 Industrial Drive
Smithfield RI 02917

tel: 401-223-3441, fax: 401-223-3442, web:
www.cogcomp.com