

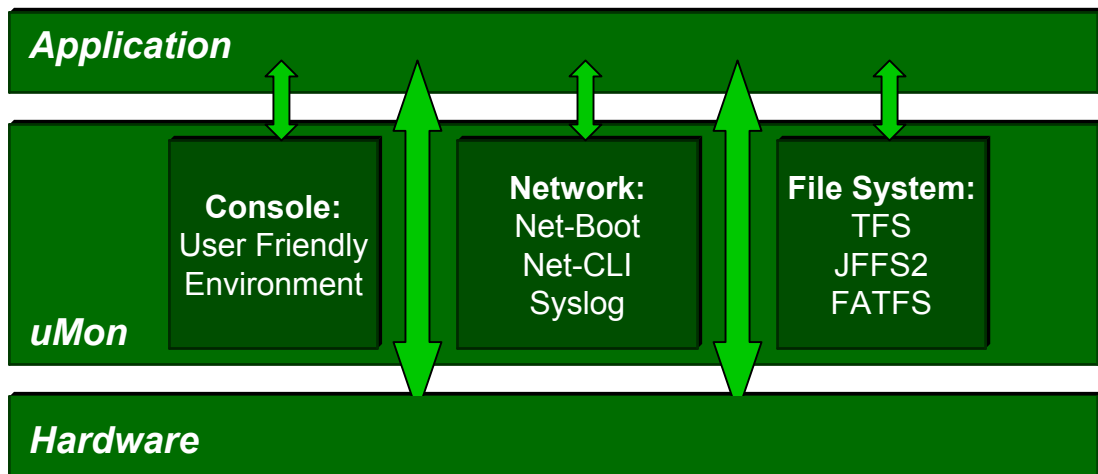


MicroMonitor

The Embedded System Boot Platform



MicroMonitor is freely available target-resident boot firmware applicable during product development and product deployment. It is a bootloader that provides user-friendly, configurable alternatives at both startup and runtime.



MicroMonitor provides an embedded system with a complete platform, eliminating the need to deal with issues like **field upgradeability**, **network boot** and **flash file storage**. It provides added features like **data decompression**, **scriptable configuration management** and **in-system diagnostics** that stay with the application in the field.

As part of a development strategy, it is a portable, common platform for a wide range of embedded system applications.

Available CPU Ports...

PPC, ARM, Xscale, MIPS, SH2, CF/68K, Nios, Blackfin, MicroBlaze

Runs with 'any' RTOS...

Linux, VxWorks, eCos, RTEMS, uC/OS-II, CMX, etc..

Most ports build "out-of-the-box" with Microcross X-Tools



Check it out: <http://www.microcross.com/html/micromonitor.html>