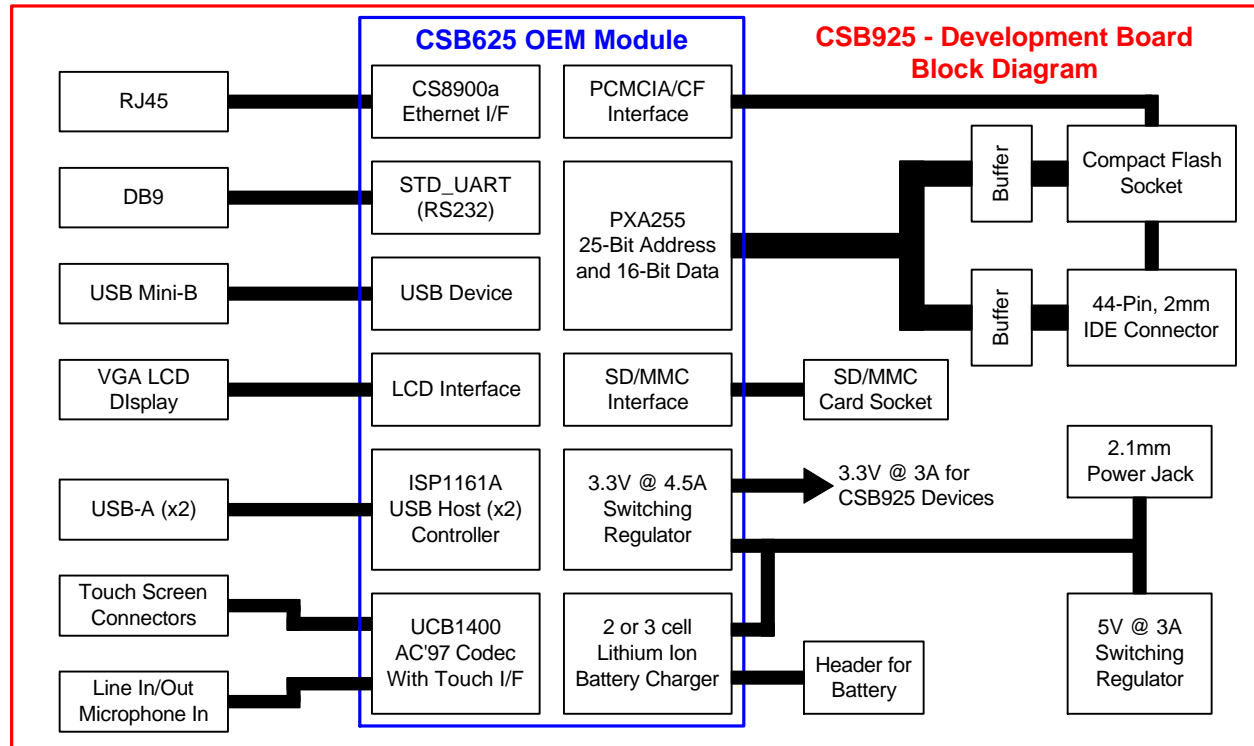


CSB925 - Development Board for CSB625



Overview

The CSB925 Development Board converts the CSB625 Micro Single Board Computer (uSBC) into an advanced product development platform. As the CSB625 uSBC is optimized for OEM use, it does not have the DB9's, RJ45, Switches, etc. found on larger, older technology single board computers. The CSB925 provides those standard connectors, while also allowing complete access to the GPIO and peripheral functions of the CSB625 needed during the product development stage.

Schematics and gerbers are available free of charge to assist in the design and integration of the CSB625 into your custom product.

Go to www.cogcomp.com for current pricing and availability of the CSB625 and CSB925.

CSB925 Specifications

- DB9 Male connector for RS232
- RJ45 for 10Mbit Ethernet Connection
- USB Mini-B and USB Type A Host Connectors
- GPIO Driven LED for Status Display
- Hot Swappable Type I/II Compact Flash Socket
- Hot Swappable SD/MMC Card Socket
- Audio Line In, Line Out and Headset Jacks
- LCD Interface to 6.4" VGA Display (Sharp LQ64D343 or equiv.) and CSB900LQ QVGA
- .1" Headers for access to all unused and most used CSB625 signals for analysis and expansion
- On Board 5V Switching regulator for LCD, LCD Backlight and USB Host
- Compact 4" x 5" size
- Wide Range (9V to 20V) Charger Input
- 2 Cell Lithium Ion Battery Connection



Cogent Computer Systems, Inc.
10 Industrial Drive, Unit B
Smithfield RI 02917
tel: 401-223-3441, fax: 401-223-3442, web:
www.cogcomp.com