

COGENT

"ALWAYS COMPLETE"

Cogent Computer Systems, Inc.

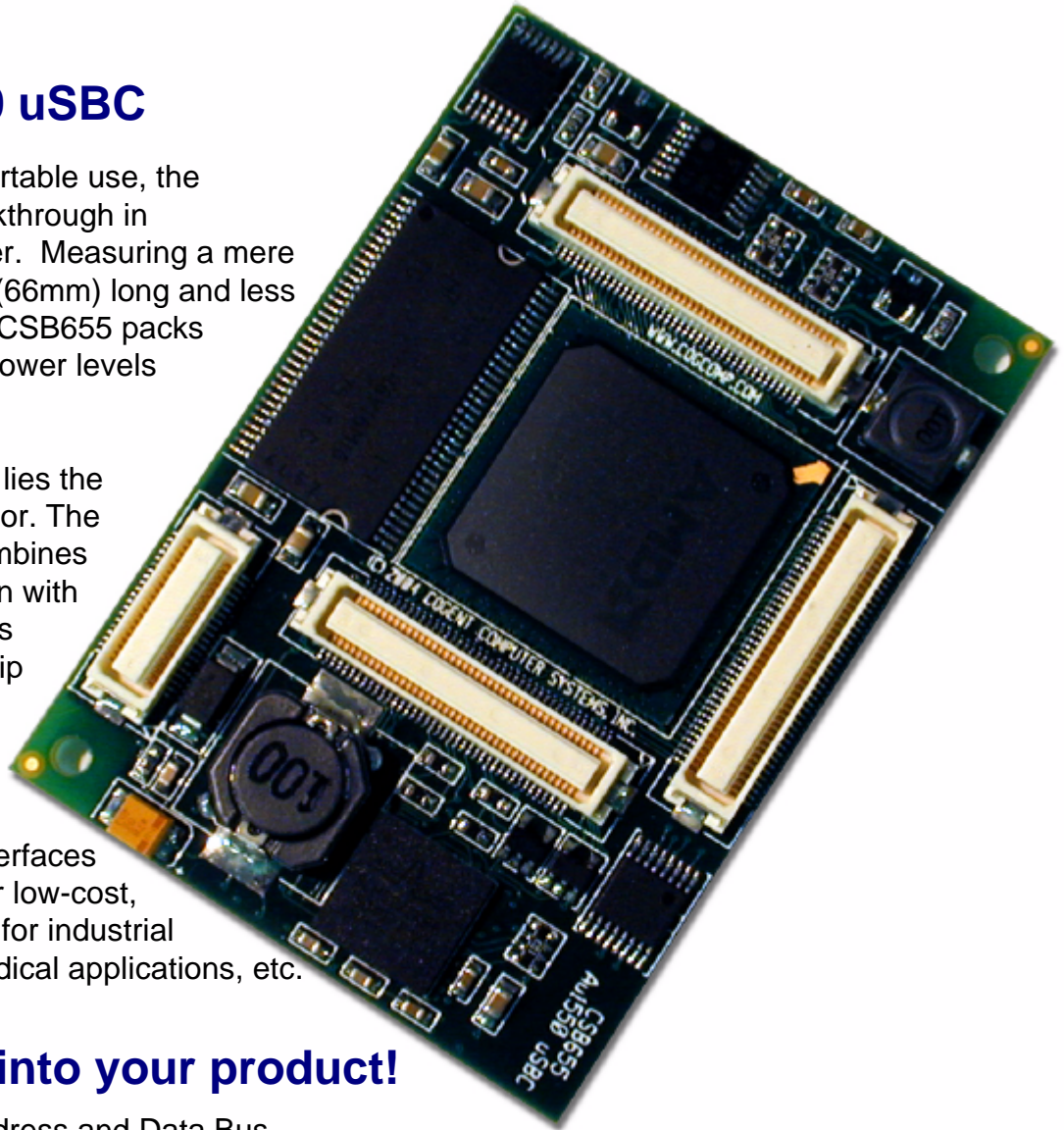
10 Industrial Drive, Unit B, Smithfield RI 02917

tel: 401-223-3441, fax: 401-223-3442, web: www.cogcomp.com

CSB655 - Au1550 uSBC

Designed for low power, portable use, the CSB650 represents a breakthrough in functionality, size and power. Measuring a mere 1.77" (45mm) wide x 2.76" (66mm) long and less than 0.355" (9mm) tall, the CSB655 packs a huge wallop at very low power levels (typically ≤ 1.5 Watts).

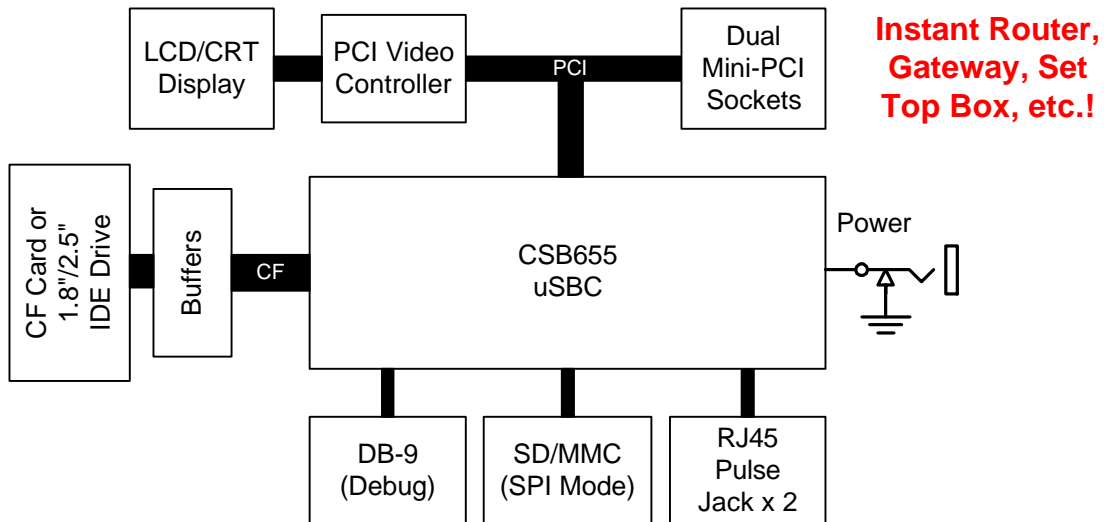
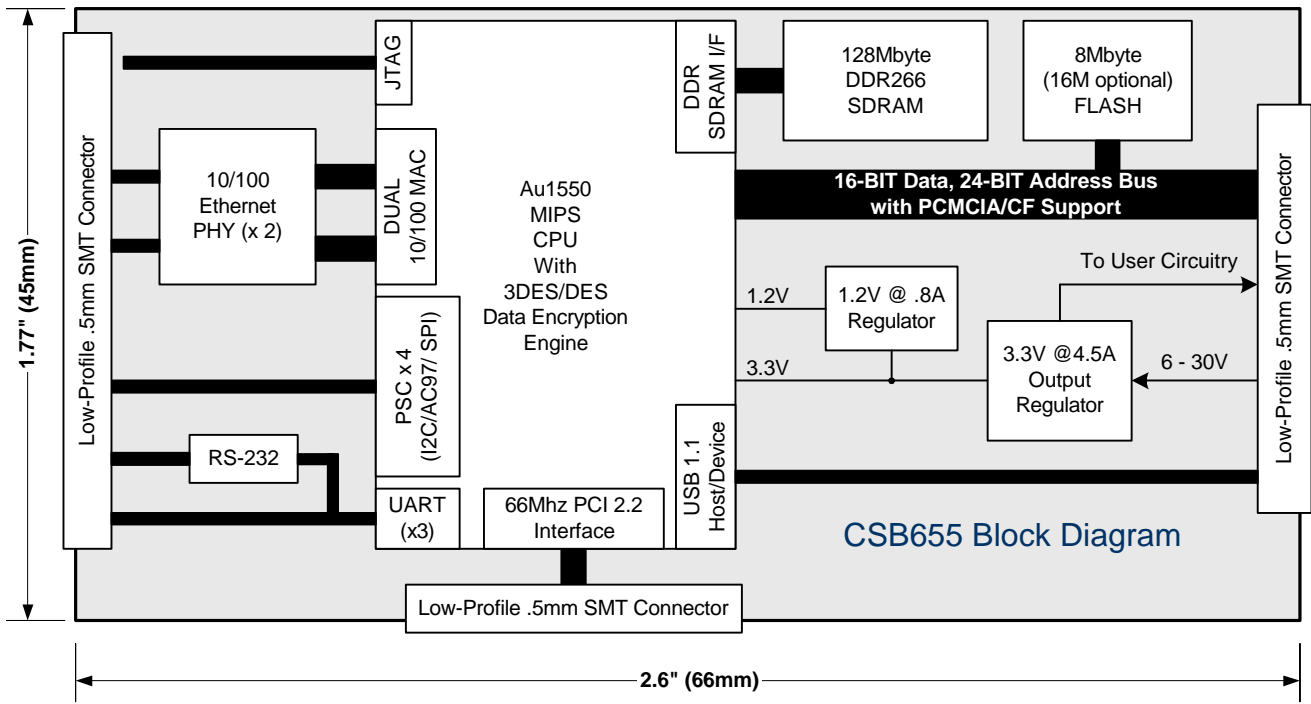
At the heart of the CSB655 lies the AMD Au1550 Microprocessor. The 500Mhz MIPS4KC core combines very low power consumption with excellent performance. This ability, along with the on chip Dual 10/100 Ethernet, Hardware 3DES/DES Data Encryption Engine, 66Mhz PCI 2.2, SDIO, SSI, SPI and Compact Flash Interfaces allows the Au1550 to power low-cost, high performance products for industrial automation, telematics, medical applications, etc.



Easy Integration into your product!

A subset of the Au1550 Address and Data Bus (supporting PCMCIA, IDE and C/F) as well as PCI, Peripherals and GPIO are made available via low profile, low cost surface mount connectors. Ultra small size, generous DDR SDRAM and FLASH ,onboard Dual 10/100 PHY and Power Conversion circuitry all combine to make the CSB655 the ideal engine for any low power networked application.

The CSB655 integrates nearly all of the functions required for a wireless gateway, router or other network oriented device device. Using state of the art PCB packaging technology, the CSB655 is constructed using .8mm BGA components, blind laser drilled vias, via in pad and fine line geometry. The CSB655 gives the user access to this technology without the risk. Users can integrate the CSB655 using simple, low cost, 2 or 4 layer PCB technology, in just a few weeks, not months!



CSB655 Specifications

- 500Mhz MIPS4KC Core w/32KI/32KD Cache
- 128Mbyte DDR SDRAM
- 8Mbyte FLASH (16Mbyte Optional)
- RS-232 Debug Port
- 2 additional TTL UART Ports
- Four Programmable Serial Controllers Supporting SPI, I2S, AC'97 and I2C Modes.
- Dual USB 1.1 Host Ports
- USB 1.1 Device Port (Shared w/USB Host Port 1)
- 66Mhz PCI 2.2 Interface (Master or Slave)
- 3DES/DES Hardware Encryption Engine
- Low Power 10/100 Ethernet Phy (x2)
- 16-Bit Static Memory Bus with PCMCIA/ Compact Flash Support
- Standard E-JTAG Debug Port
- Ultra-compact: 1.77" (45mm) wide x 2.6" (66mm) long x 0.355" (9mm)
- 6V to 35V input, 3.3V @ 4.5A Switching Regulator (can supply up to 3A to user board)