

COGENT

"ALWAYS COMPLETE"

Cogent Computer Systems, Inc.

10 Industrial Drive, Unit B, Smithfield RI 02917

tel: 401-223-3441, fax: 401-223-3442, web: www.cogcomp.com

CSB625 - PXA255 uSBC

Designed for low power, portable use, the CSB625 represents a breakthrough in functionality, size and power. Measuring a mere 1.77" (45mm) wide x 2.6" (66mm) long and less than 0.35" (9mm) tall, the CSB625 packs a huge wallop at very low power levels (typically < 1.5 watt).

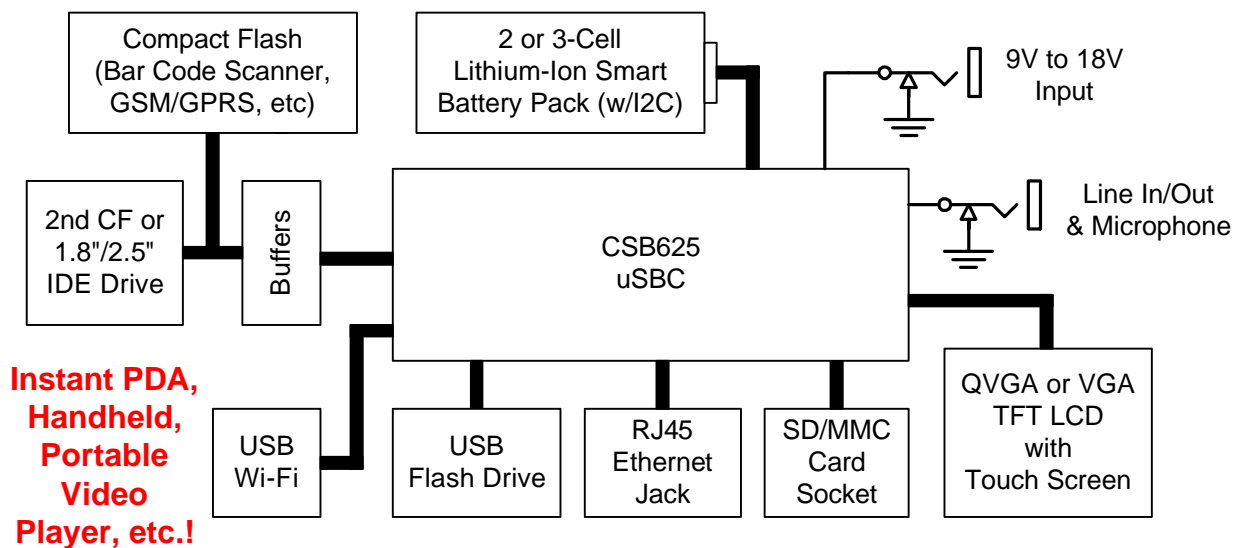
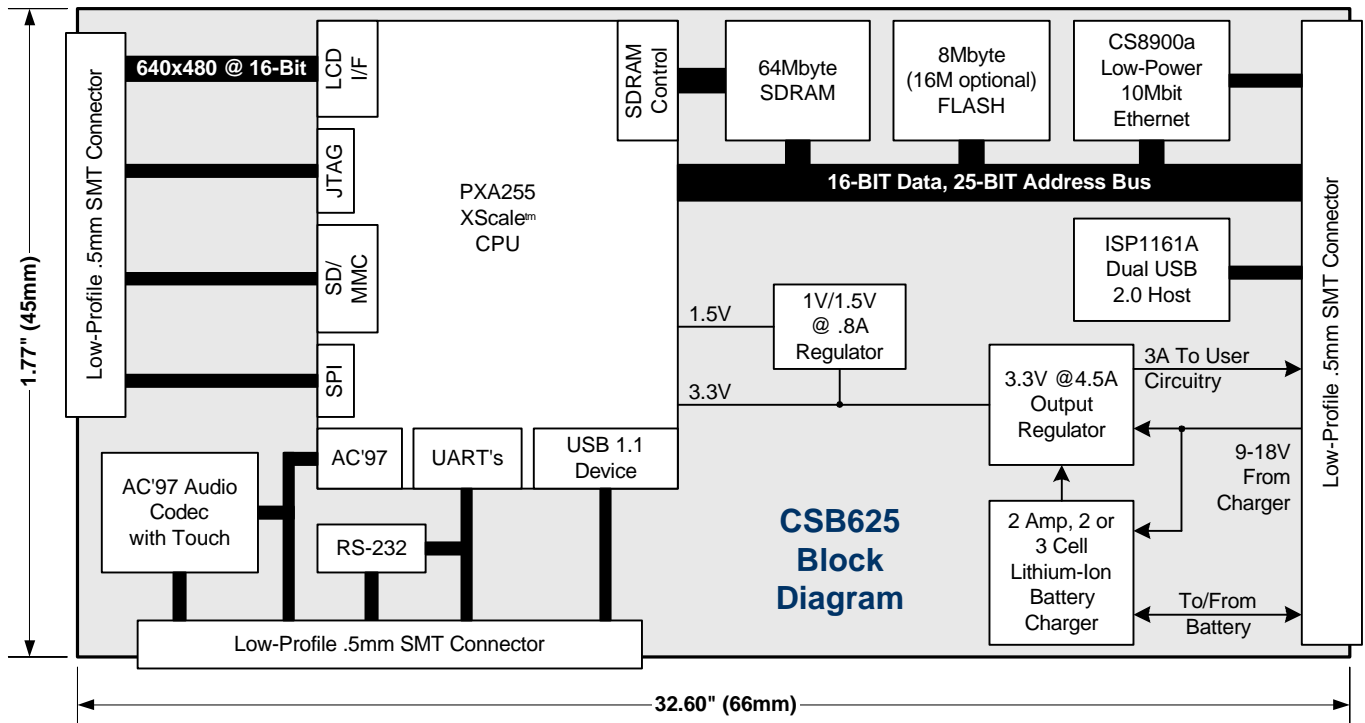
At the heart of the CSB625 lies the 400Mhz Intel PXA255 Microprocessor. Based on the Intel® XScale™ Microarchitecture, this chip combines low power consumption with high performance. This ability, combined with the on chip LCD, SD Card, AC'97, SSP and Compact Flash Interfaces gives the PXA255 the ability to power low-cost, high performance products for telematics, industrial automation, medical applications, etc.



Easy Integration into your product!

A subset of the PXA255 Address and Data Bus (supporting PCMCIA, IDE and C/F), all Peripherals and most GPIO are made available via low profile, low cost surface mount connectors. Ultra small size, generous SDRAM and FLASH, onboard low power (<1mw standby) 10Mbit Ethernet, USB Host, AC'97 Codec, Touch I/F, plus Power Conversion and Battery Charging circuitry combine to make the CSB625 the ideal engine for any size restricted, low power or battery operated application.

The CSB625 integrates nearly all of the functions required for an industrial handheld or other portable device. The CSB625 is constructed using state of the art PCB packaging technology such as 1mm BGA's, laser drilled micro-vias and fine line geometry. The CSB625 gives you access to this technology without the risk. You can integrate the CSB625 using simple, low cost, 2 or 4 layer PCB technology, in just weeks, not months! We can even do it for you, quickly and inexpensively. Call us today to get your project started!



Example Circuit

CSB625 Specifications

- 400Mhz XScale™ Core
- 64Mbyte SDRAM
- 8Mbyte FLASH (16Mbyte Optional)
- Single RS-232 Debug Port
- 2 Additional TTL UARTs
- USB 1.1 Device Port
- Dual USB 2.0 (12Mbit) Host Ports
- Low Power 10Mbit Ethernet Controller
- SD/MMC Controller (1-Bit)
- On-Chip LCD Controller supports up to 640x480 TFT and STN Displays
- Dual High Speed SPI and 400Khz I2C
- Standard ARM JTAG Interface
- 20-Bit Stereo CODEC with Touch Screen I/F
- Ultra-compact: 1.77" (45mm) wide x 2.6" (66mm) long x 0.355" (9mm) high
- 2A, 2 or 3-Cell, Lithium-Ion Battery Charger (accepts 9 to 18V input)
- 95% Efficient 3.3V@4.5A Switching Regulator (can supply up to 3A to user board)
- 1.5W Typ., 3W Max. Power Consumption
- 0C to +70C Standard, -20C to +85C Optional